

Project Name:

Type:

Quantity:

FIXTURE SPECIFICATIONS

INTENDED USE

The specification grade decorative Skyline Architectural LED Round Light delivers clear circular light to commercial, hospitality and residential interior lighting applications. Our modern, slim profiles and stylish hanging light designs offer excellent direct lighting, indirect lighting, exceptional performance and versatility in offices, classrooms, conference rooms, museums, retail outlets, hotels, restaurants, and more.

FEATURES

Construction: White aluminum housing

Lens: Polycarbonate

Mounting: 72" Adjustable Aircraft Cable included with Pendant Mount (P)

Weight: 12.10 lbs

Voltage: 120-277VAC 50/60Hz

Color Temperature: 4000K

Wattage: 50 Watts

Lumens: 5197

Power Factor: >0.95

Efficacy: 105 Lumens/Watt

Dimming: 0-10V Dimmable

CRI: >80

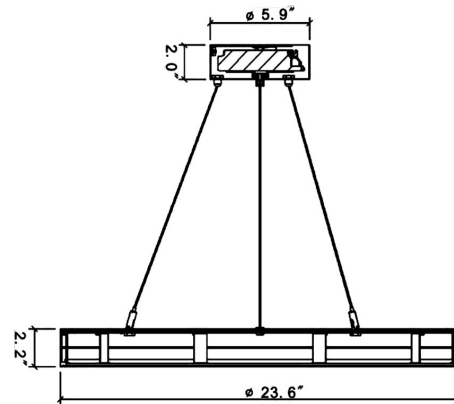
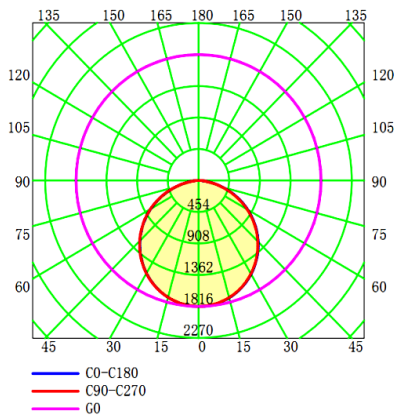
Beam Angle: 112°

Distribution: Direct only 100% | Direct and Indirect (Direct 80% - Indirect 20%)

Warranty: 5 Years Carefree for Parts & Components (Labor Not Included)

Listings: cETLus, LM79 & LM80 tested

PHOTOMETRY



ORDERING INFORMATION Example: (12201-QS-P-D)

Model	Type	Distribution
12201-QS	P Pendant	D Direct 100% Down
	S ¹ Surface	D/I Direct / Indirect 80% Down / 20% Up

¹ Not available in D/I.